

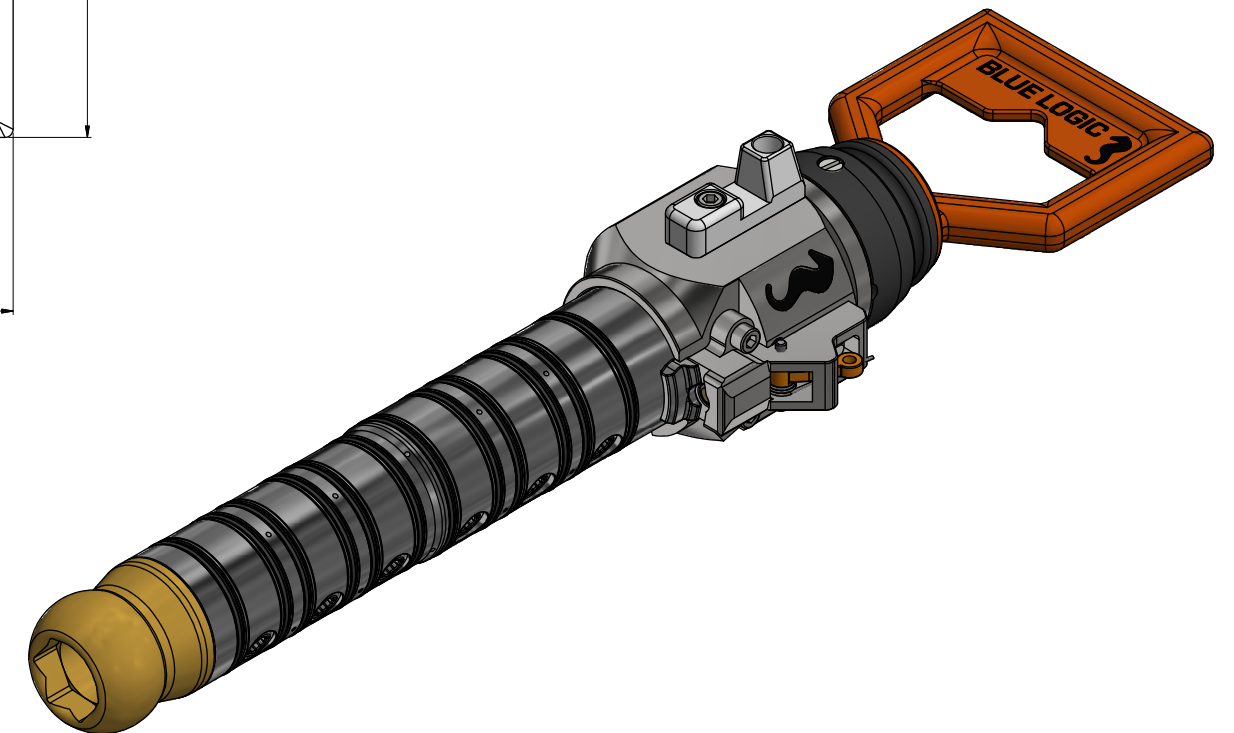
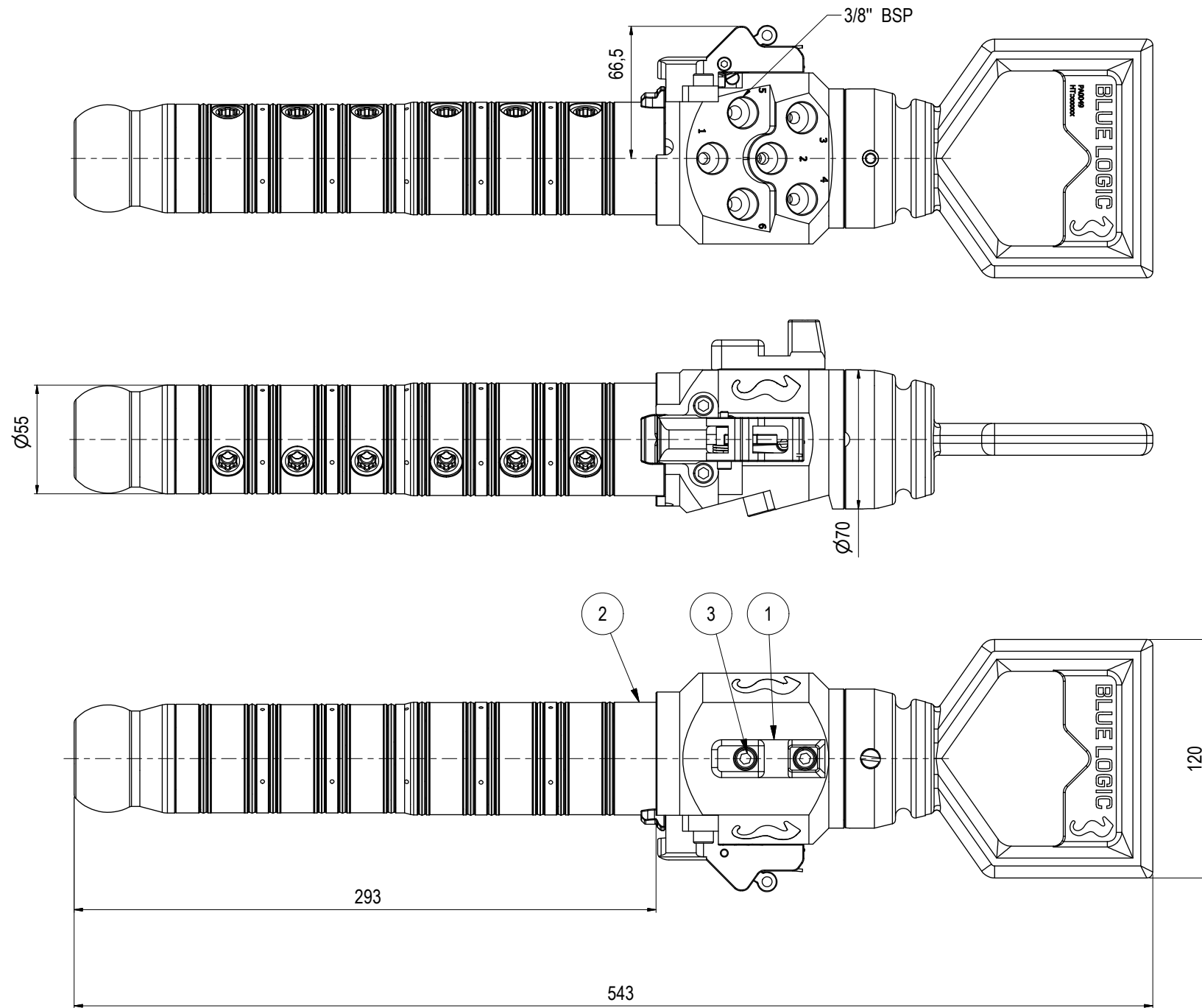
NOTE: 1
 DESIGN CODE:
 NS-EN 13445:2009 / ISO 13628-8

NOTE: 2
 TECHNICAL CLASSIFICATION:
 Article Type: 003-Valve Stabs
 Main Group: 3.07. Dual Bore-Valvestab
 Intermediate Group: 3.42.1. Stab
 Sub Group: 3.42.102.6. Hexa

NOTE: 3
 INTERFACE INFORMATION:
 Pressure Rating Bar: 690
 Material: Semi Permanent
 Weight: 9,3 kg
 Volume: 1,26 dm³
 Surface Area: 3696 cm²
 Hydraulic: 3/8" BSP
 Mechanical: D-Handle
 Electrical: N/A
 Com. & Protocol: N/A

NOTE: 4
 ADDITIONAL INFORMATION:
 Male Valve Stab with 6 individual hydraulic lines. Designed for short term submersion in intervention applications.
 This valve stab is equipped with a key system (white key) and can only be inserted and mated with a receptacle with similar white key. The stab will also fit into standard receptacles without key.
 The Valve Stab hydraulic connection system is a pressure balanced hydraulic connector system with integrated ball valves in all ports on both the male and female side. Can be connected and disconnected with full system pressure, water ingress and pollution to sea during connection and disconnection is negligible.
 For more information - request usermanual 600142-TD-0001.

NOTE: 5
 SPAREPARTS:
<http://e-sea.bluelogic.no/main.aspx?page=article&artno=BB1053>



WEB REFERENCE LIST				
ITEM	QTY	PART No.	TITLE	WEBLINK
1	1	BA9090	Key White for Stab wTool Interface V2	http://e-sea.bluelogic.no/main.aspx?page=article&artno=BA9090
2	1	BA7469	Ø55/Ø57 HP VStab 10K Long-term BSP 3/8" Double Seal	http://e-sea.bluelogic.no/main.aspx?page=article&artno=BA7469
3	2	100363	Bolt	

05	1.2.2017	9-IFU (Issued for Use)						
04	1.11.2016	9-IFU (Issued for Use)						
03	24.5.2016	9-IFU (Issued for Use)						
02	23.5.2016	2-IFT (Issued For Tender)						
Rev.	Date	Reason for issue	Revision change	Made	Chk'd	Appr.		



Dwg Scale: NTS	Drawing title: Ø55/Ø57 HP VStab with White Key
Dwg Proj: 	
Dwg Format: A3	
Drawing number: BA8369	Rev: 05